

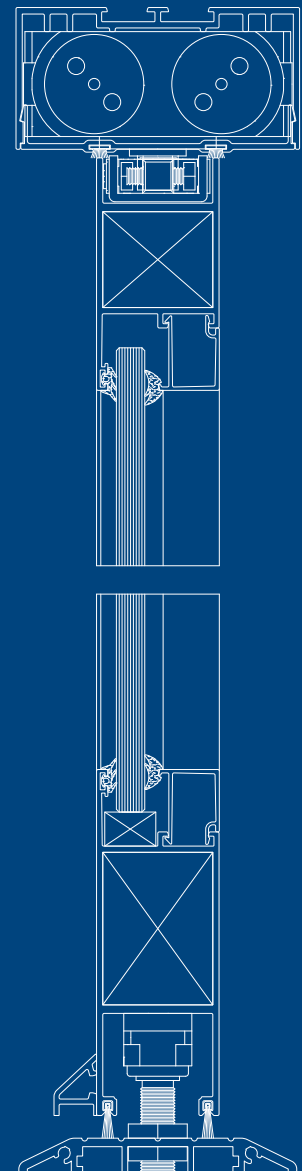


smart
architectural aluminium

Shopleveline

Shopleveline is a non-thermal aluminium screen and door system for commercial and retail applications.:

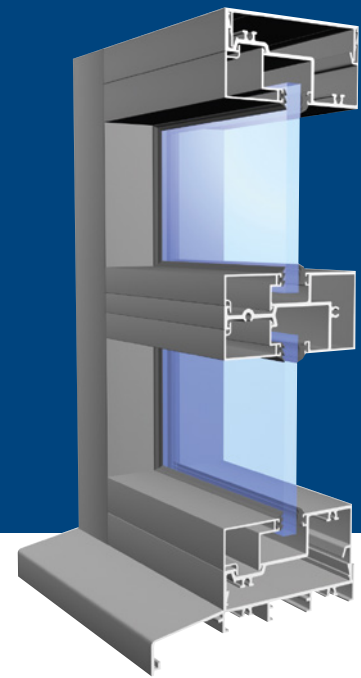
- Comprehensive range of profiles sections available
- Designed to be robust and durable in high traffic areas
- Doors offer swing, rebated, auto swing and auto slide options



COMMERCIAL SCREENING SYSTEM

Shopline is an economical aluminium screening system for commercial applications.

With one of the most comprehensive range of profiles available, Smart's Shopline is an established and proven screening system. The system is designed to comply with the demands of architects, local authorities and property managers for commercial projects around the UK. Shopline doors are designed to integrate with the Shopline screen, providing an ideal solution for high traffic commercial entrances, such as schools and hospitals.



Commercial Screens

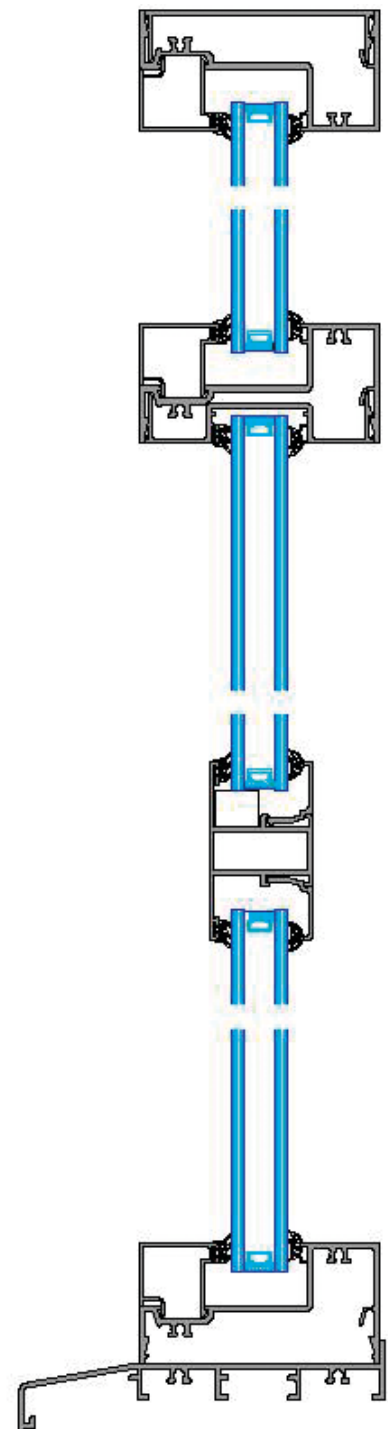
Shopline is a modular screening solution, combining the benefits of off-site manufacture with on-site assembly. Screen modules are constructed offsite from square cut profiles joined using self tapping screws. These modules can then be rapidly assembled onsite, intuitively clipping together the mullions to form one continuous screen. This rapid assembly method offers an economical solution for low rise screening with slim sightlines of 50mm. Designed for the UK climate, all fixings on the screen are manufactured from corrosion resistant material to provide protection from both atmospheric and electrolytic degradation. The system offers drainage trays, ensuring the screens performance in all weathers.

Glazing

Shopline is a modular screening solution, combining the benefits of off-site manufacture with on-site assembly. Screen modules are constructed offsite from square cut profiles joined using self tapping screws. These modules can then be rapidly assembled onsite, intuitively clipping together the mullions to form one continuous screen. This rapid assembly method offers an economical solution for low rise screening with slim sightlines of 50mm. Designed for the UK climate, all fixings on the screen are manufactured from corrosion resistant material to provide protection from both atmospheric and electrolytic degradation. The system offers drainage trays, ensuring the screens performance in all weathers.

Finish

Shopline profile can be supplied Polyester power coated which is ideally suited to demands of commercial applications. Painted to BS 6496 including Qualicoat standards, Shopline profiles are typically painted to 60 microns which complies with the requirements necessary to achieve a 25 year guarantee and ensures the quality and longevity of the Shopline screen system.

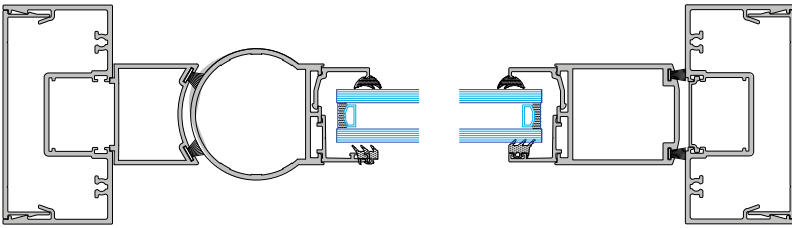


Commercial Doors

The Shopline screening suite integrates a range of commercial entrance doors. Exceedingly versatile in application and scope, the Shopline system includes solutions for single and double commercial doors. Swing doors with concealed overhead closers, rebated doors and automated swing/sliding doors can all be manufactured with Shopline.

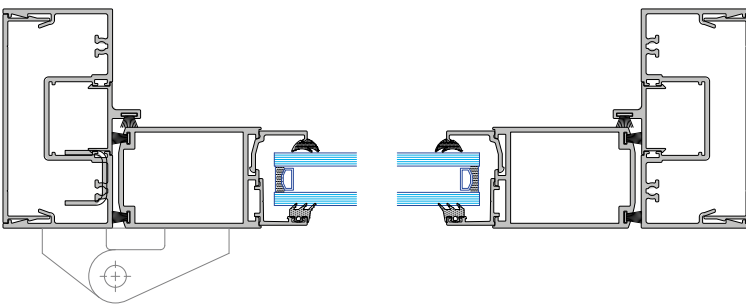
Swing Doors

Shopline swing doors utilise the Adams Rite ARC-51 Overhead transom concealed door closer in a range of strengths for doors up to 1100mm width and 2500mm in height. A range of floor/threshold pivots is available for use with the overhead closer for door weights up to 110kgs. When wider doors are required, contact Smart's Technical Department for guidance.



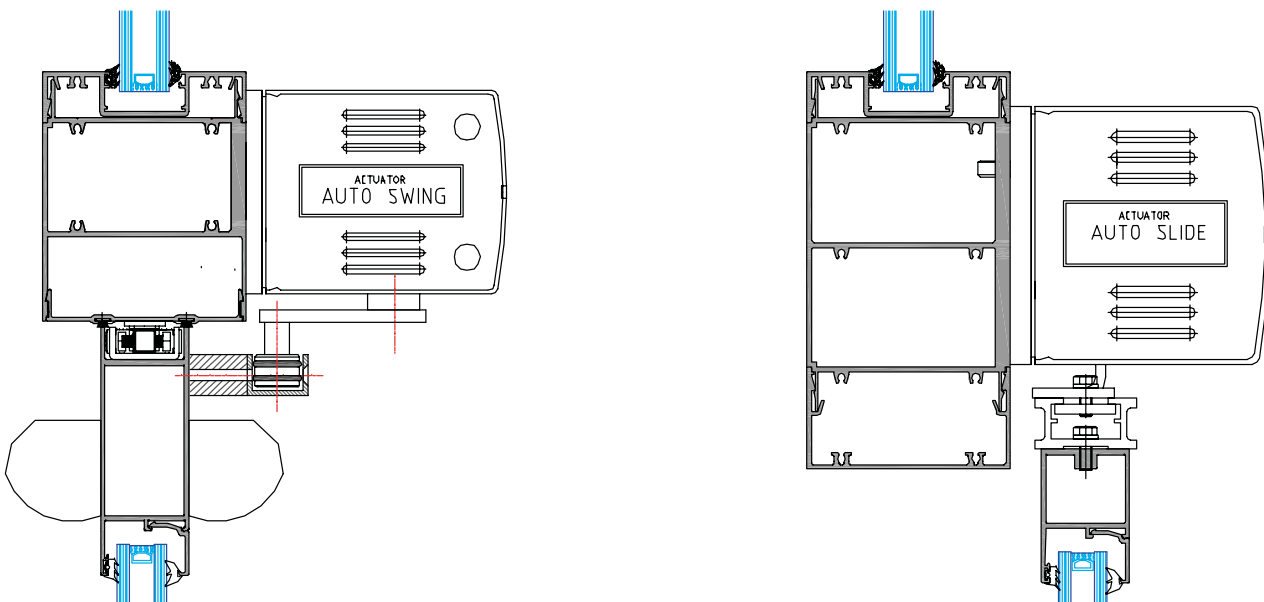
Rebated Doors

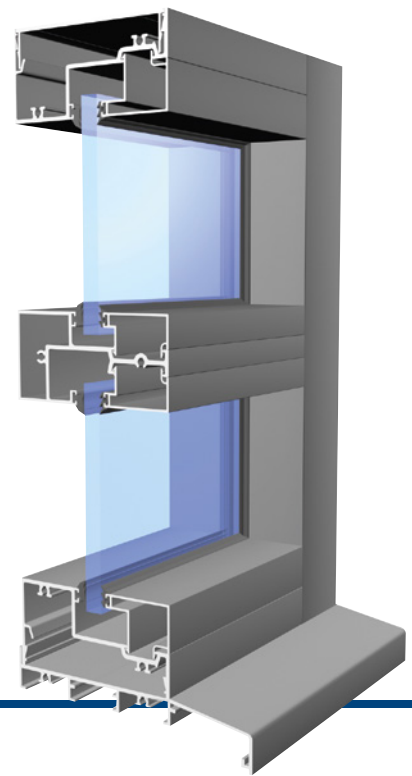
Rebated doors are face mounted on flag hinges with the option of a face mounted door closer. The system benefits from an increased opening angle of 180 degrees and is ideal for more exposed locations with the extra weather protection offered by the additional rebate.



Auto Swing/Auto Sliding

For main commercial entrance doors Shopline is designed to provide automated swing opening using electrical sensors and actuators to operate swinging, sliding, and telescopic doors. Shopline offers profiles with a range of suited reinforced sections developed to securely mount a range of door automated actuators from different hardware suppliers, including Besam.





Shopline Secure and Durable

The doors are specifically developed for heavy duty applications such as schools and hospitals. Shopline doors are easy to manufacture, using mechanical corner brackets instead of traditionally welded corners. The mechanical fixing is not affected by HAZ degradation experienced on welded joints. This method of fabrication creates an exceptionally strong and durable door with a quality and consistency of joint not possible with welded construction.

DDA & Document M

A range of options is available that enable compliance with DDA & Document M legislation including low threshold and anti-finger trap sections.

Building regulations on opening widths require that all doors in both domestic and commercial applications feature a minimum clear opening to enable persons of reduced mobility to manoeuvre through a building. Further guidance on these requirements can be obtained from the 'Smart Guide to Document M', available to download from www.smartsystems.co.uk, or in hard copy by request.

For further advice please contact the Smart's Technical Department.

Profiles

All profiles are extruded from aluminium alloy 6063 T6 and comply with the recommendations of BS 1474.

Sections are pre-treated and finished:

- Anodised AA25 to BS 3987 in a natural self colour and other agreed colours
- Polyester powder organic coating to BS 6496 in white high gloss
- Polyester powder organic coating to BS 6496 in agreed colours, matt or gloss finish

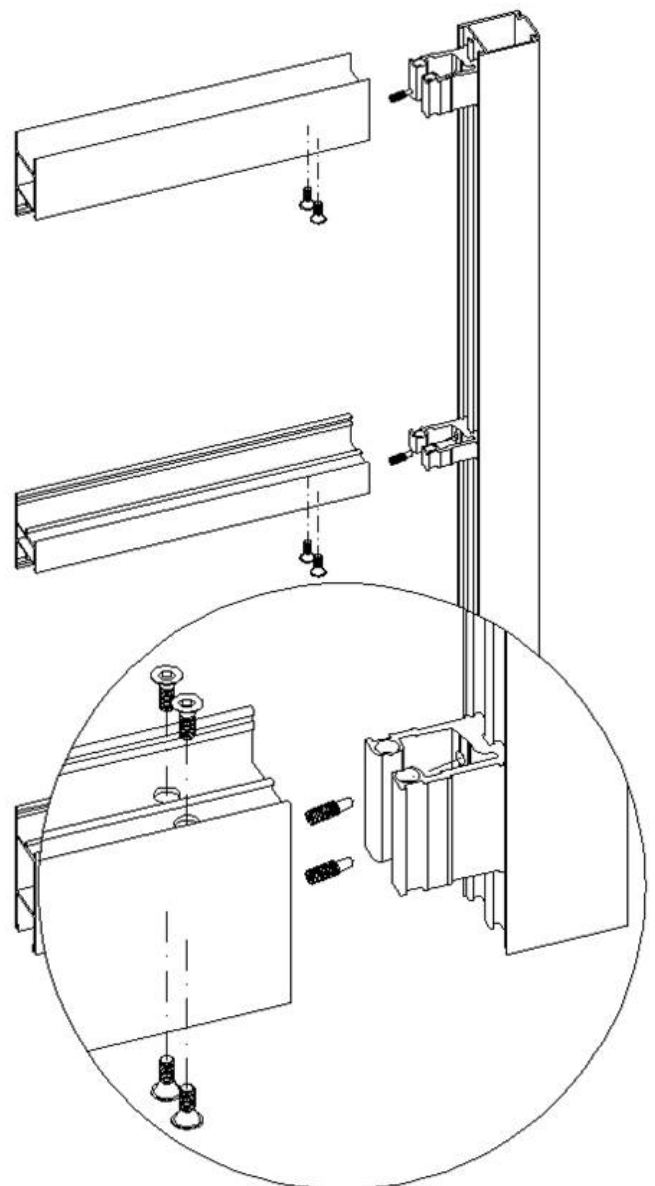
Smart Systems Limited

Arnolds Way | Yatton | Bristol | North Somerset | BS49 4QN | UK

T +44 (0) 1934 876 100 | F +44 (0) 1934 835 169 |

W www.smartsystems.co.uk | E sales@smartsystems.co.uk

IMS017SH.201504



The images, drawings and data shown in this brochure are for illustrative purposes only and are not binding in detail, colour or specification. We reserve the right to make changes to the product specification as technical developments dictate and without prior notice. We recommend that the user ensures that they are satisfied the product meets their requirements prior to purchase. ©Smart Systems Ltd 2014